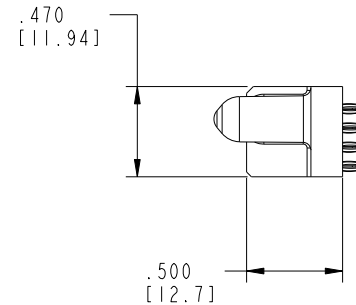
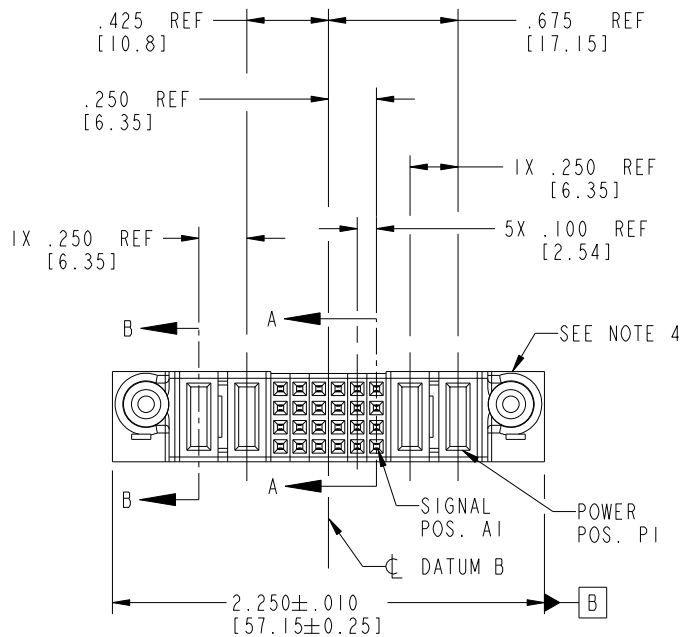


Tous droits strictement réservés. Reproduction ou communication a des tiers interdite sous quelque forme que ce soit sans autorisation écrite du propriétaire. Propriété de c FCI. Droits de reproduction FCI.

All rights strictly reserved. Reproduction or issue to third parties in any form whatever is not permitted without written authority from the proprietor. Property of FCI. Copyright FCI.



PRODUCT NO.	ROWS	POWER		SIGNAL					POWER		E1			
		E2	P4	P3	6	5	4	3	2	1		P2	P1	
51750-028-- NOTE ③	D C B A													



CODE	DIM "M" MATING LENGTH	CONTACT TYPE
F	N/A [N/A]	SIGNAL
PC	.042 [1.07]	POWER
PF	.092 [2.34]	POWER

mat'l code				SEE NOTE 2		tolerances unless otherwise specified		CUSTOMER		 www.fciconnect.com	
ltr	ecn no.	dr	date	linear	.XX±.01/0.X±0.3	projection		COPY		title	
A	V20697	JWS	04-11-02	angles	.XXX±.005/0.XX±0.13			2P		2P + 24S + 2P	
B	V03-1195	DAI	11/05/03		.XXX±.0020/0.XXX±0.051			VERTICAL PRESSFIT RECEPT		product family	
C	DG05-0076	SW	04/10/05	dr	0°±2°	INCH/MM		PwrBlade		code	
D	DG08-0251	W D	09/13/08	enr		1:1		size		213	
sheet index		revision sheet		chr	J. SWAIN	04-11-02		dwg no		51750-028	
				appd	J. SWAIN	04-11-02		sheet		1 of 4	
								cage code		22526	

Pro/E

PDM: Rev:D

STATUS: Released

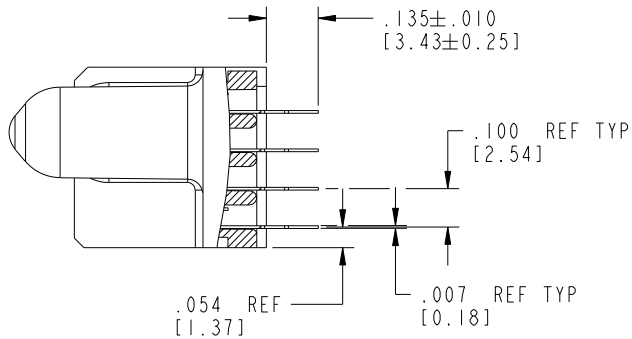
Printed: Sep 20, 2008

Tous droits strictement réservés. Reproduction ou communication a des tiers interdite sous quelque forme que ce soit sans autorisation écrite du propriétaire. Propriété de c FCI. Droits de reproduction FCI.

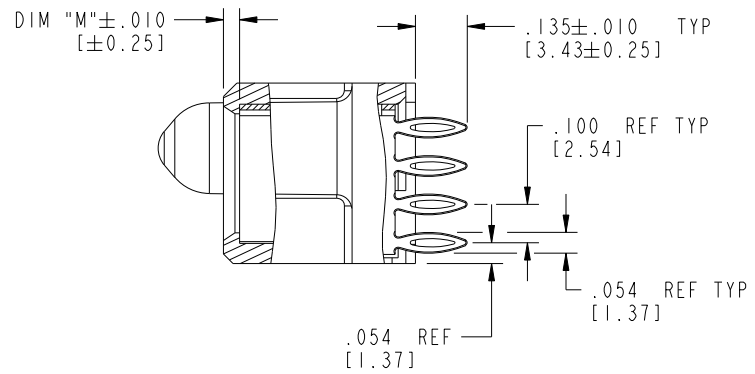


All rights strictly reserved. Reproduction or issue to third parties in any form whatever is not permitted without written authority from the proprietor. Property of FCI. Copyright FCI.

PRODUCT NUMBER  
51750-028--  
NOTE ③



SECTION A-A  
SCALE 2:1



SECTION B-B  
SCALE 2:1

mat'l code		SEE NOTE 2		tolerances unless otherwise specified		CUSTOMER		 www.fciconnect.com	
ltr	ecn no.	dr	date	linear	.XX±.01/0.X±0.3	COPY		title	
D				projection	.XXY±.005/0.XX±0.13			2P + 24S + 2P VERTICAL PRESSFIT RECEPT	
				angles	.XXX±.0020/0.XXX±0.051			product family	
				dr	0° ± 2°	INCH/MM		PwrBlade	
				enr	J. SHAFFER 04-11-02	scale		code	
				chr	J. SWAIN 04-11-02	1:1		213	
				appd	J. SWAIN 04-11-02	A		51750-028	
sheet index		revision sheet						sheet	
								2	

Pro/E

PDM: Rev: D

STATUS: Released

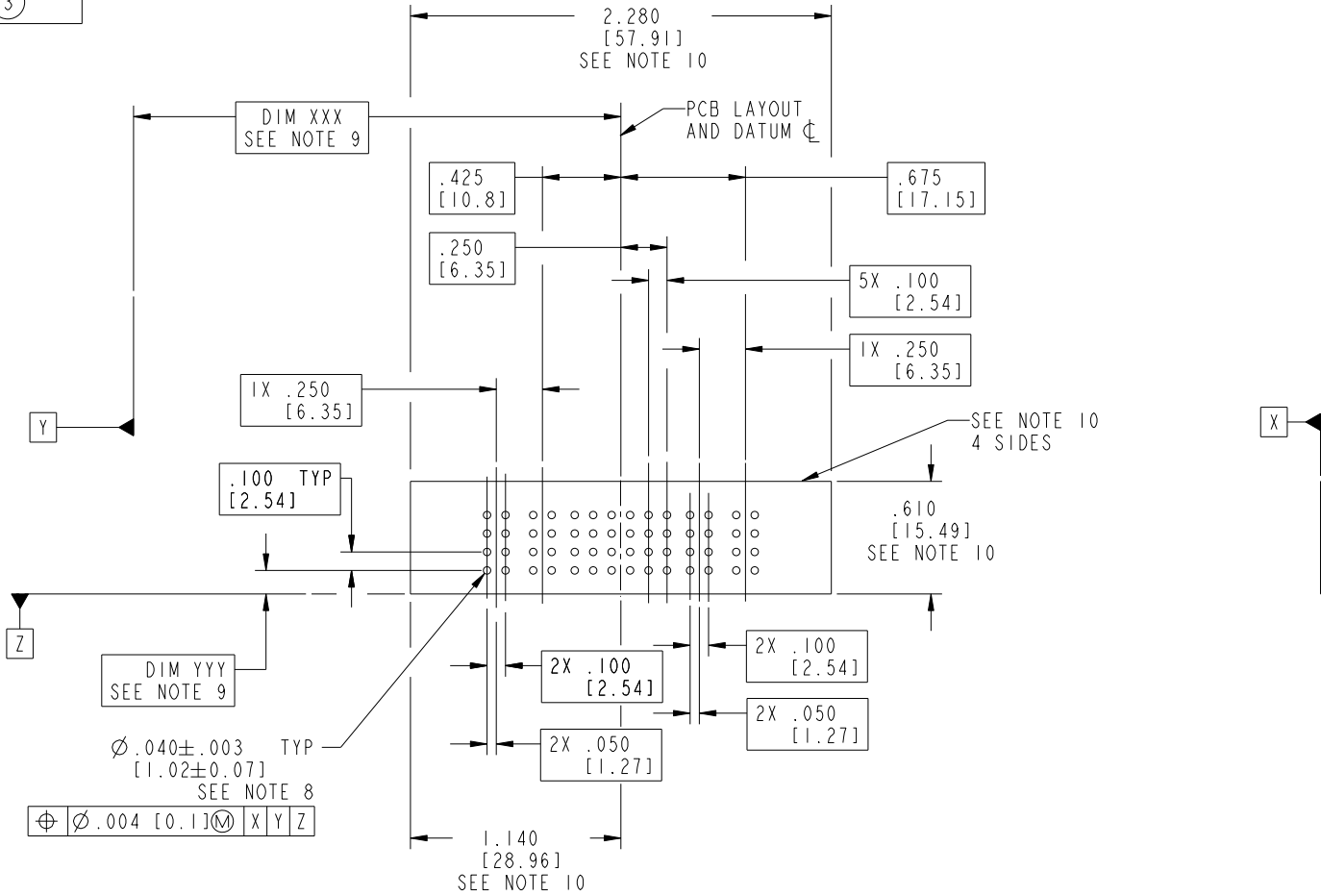
Printed: Sep 20, 2008

Tous droits strictement réservés. Reproduction ou communication a des tiers interdite sous quelque forme que ce soit sans autorisation écrite du propriétaire. Propriété de c FCI. Droits de reproduction FCI.

All rights strictly reserved. Reproduction or issue to third parties in any form whatever is not permitted without written authority from the proprietor. Property of FCI. Copyright FCI.



PRODUCT NUMBER  
51750-028--  
NOTE ③



RECOMMENDED PCB LAYOUT

mat'l code		SEE NOTE 2		tolerances unless otherwise specified		CUSTOMER		FCI	
ltr	ecn no.	dr	date	linear	.XX±.01/0.X±0.3	COPY		www.fciconnect.com	
D				angles	.XXY±.005/0.XX±0.13	projection		title	
					.XXX±.0020/0.XXX±0.051	INCH/MM		2P + 24S + 2P	
				dr	0°±2°	scale		VERTICAL PRESSFIT RECEIPT	
				enr	J. SHAFFER 04-11-02	1:1		product family	
				chr	J. SWAIN 04-11-02			PwrBlade	
				appd	J. SWAIN 04-11-02			code	
sheet index		revision sheet						size	
								dwg no	
								A 51750-028	
								sheet	
								3	

Pro/E

PDM: Rev:D

STATUS: Released

Printed: Sep 20, 2008

code code 22526

Tous droits strictement réservés. Reproduction ou communication a des tiers interdite sous quelque forme que ce soit sans autorisation écrite du propriétaire. Propriété de c FCI. Droits de reproduction FCI.



All rights strictly reserved. Reproduction or issue to third parties in any form whatever is not permitted without written authority from the proprietor. Property of FCI. Copyright FCI.

1 | 2

3 |

4

PRODUCT NUMBER  
51750-028--  
NOTE ③

NOTES:

1. DIMENSIONS AND TOLERANCES ARE IN ACCORDANCE WITH ASME Y14.5M, 1994 UNLESS OTHERWISE SPECIFIED.

CONNECTOR NOTES:

2. HOUSING MATERIAL: UL 94 V-0 GLASS FILLED HIGH-TEMP THERMOPLASTIC  
POWER CONTACT MATERIAL: COPPER ALLOY  
SIGNAL PIN MATERIAL: COPPER ALLOY

③ SEE ITEM 7 & 8 IN PRINT 10064183 FOR PLATING SPEC OF 51750-028 AND 51750-028LF RESPECTIVELY.

4. MANUFACTURER'S NAME, P/N, AND DATE CODE TO APPEAR ON THIS SURFACE.

5. PRODUCT SPECIFICATION GS-12-149.  
APPLICATION SPECIFICATION BUS-20-067

PCB - NOTES:

6. ALL HOLE DIAMETERS ARE FINISHED HOLE SIZE.

7. MOUNTING HOLES, WHERE APPLICABLE, ARE UNPLATED.

8.  $\varnothing .0453 \pm 0.0010$  [ $1.151 \pm 0.025$ ] DRILLED HOLES PLATED WITH  $0.0003$  [ $0.008$ ] MIN SnPb OVER  $.001$  [ $0.03$ ] TO  $.003$  [ $0.08$ ] Cu PLATING TO ACHIEVE  $\varnothing .040 \pm .003$  [ $1.02 \pm .07$ ] HOLE.

9. "DIM XXX" AND "YYY" TO BE DETERMINED BY THE CUSTOMER.

10. CONNECTOR KEEP-OUT ZONE.

11. A  $\Delta$  SYMBOL WILL BE NEXT TO ANY DIMENSION, VIEW, OR NOTE WHICH HAS BEEN MODIFIED WITH THE CURRENT DRAWING REVISION.

mat'l code				SEE NOTE 2		tolerances unless otherwise specified		CUSTOMER		FCI www.fciconnect.com	
ltr	ecn no.	dr	date	linear	$.XX \pm .01 / 0.X \pm 0.3$		COPY		title 2P + 24S + 2P VERTICAL PRESSFIT RECEIPT		
D					$.XXX \pm .005 / 0.XX \pm 0.13$		projection				
				angles	$.XXX \pm .0020 / 0.XXX \pm 0.051$		INCH/MM		product family PwrBlade code		
					$0^\circ \pm 2^\circ$				size		213
				dr	J. SHAFFER	04-11-02	scale		A		sheet
				enrg	J. SWAIN	04-11-02	1:1		51750-028		4
				chr	J. SWAIN	04-11-02					
				appd	J. SWAIN	04-11-02					
sheet index		revision sheet									

1 | 2

Pro/E

PDM: Rev:D

STATUS: Released

Printed: Sep 20, 2008

A

A

B

B

cage code 22536

4